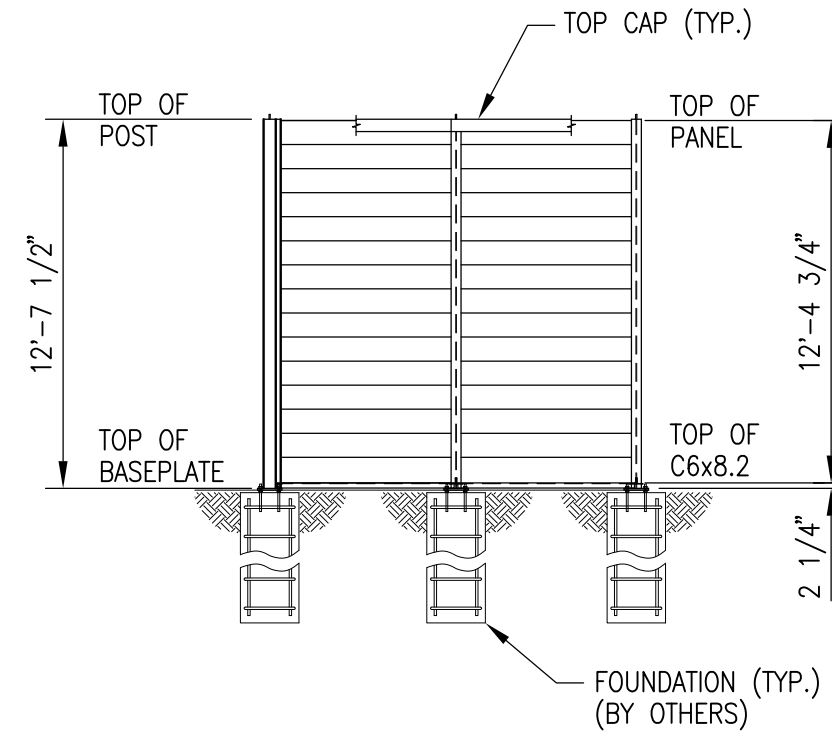
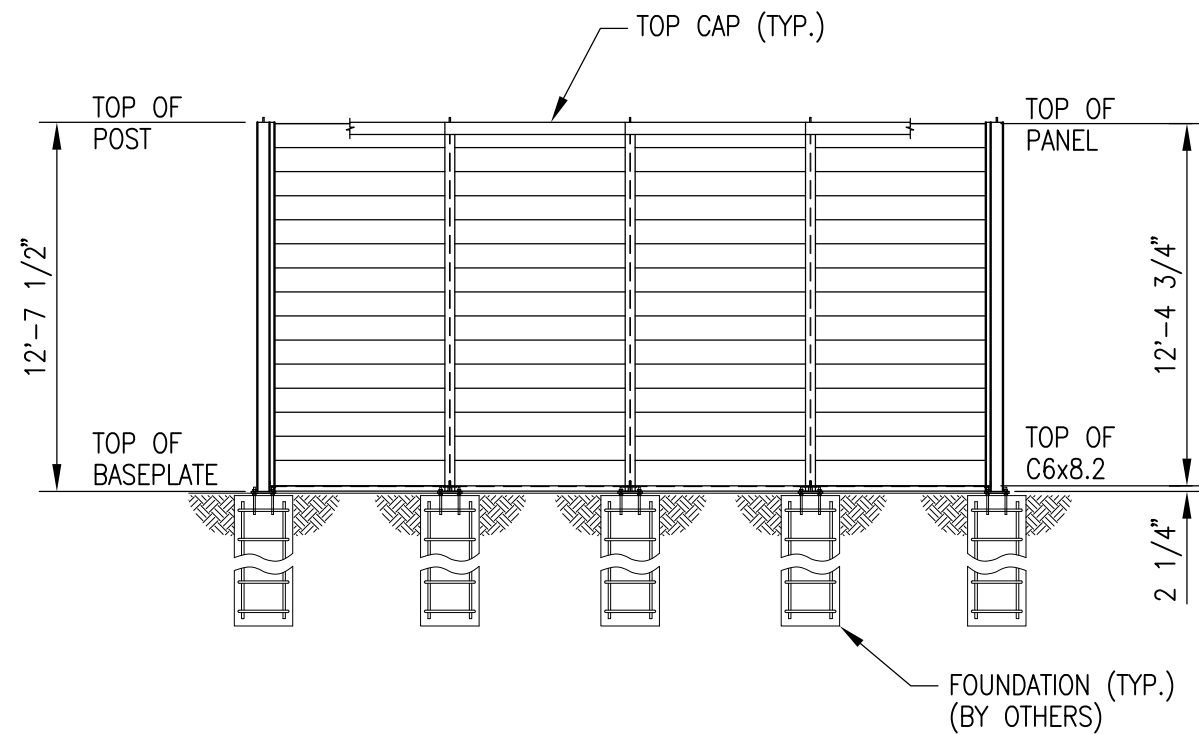


PLAN VIEW



ELEVATION



ELEVATION

LSE2000 SECTIONS	8
LSE2000 PANELS	120
TOTAL LINEAR FEET	50'-2"
TOTAL SQUARE FEET	622
STACK HEIGHT	(15) PANELS 12'-4 3/4"

DESIGN CRITERIA:

1. STEEL FOR WIDE FLANGE SHAPES AND BUILT-UP COLUMN MEMBERS SHALL CONFORM TO ASTM A572 GRADE 50 OR ASTM A992, ALL OTHER STRUCTURAL STEEL SHAPES AND BASE PLATES SHALL CONFORM TO ASTM A36.
2. ALL CALCULATIONS ARE BASED ON WIND LOADS PERPENDICULAR TO WALL (20 PSF).
3. ALL ANCHOR BOLTS SHALL CONFORM TO ASTM A-36 UNLESS OTHERWISE NOTED.
4. ALL WELDING SHALL CONFORM TO THE AMERICAN WELDING SOCIETY AND ELECTRODES SHALL BE E70XX.
5. ALL FABRICATED STEEL MEMBERS AND ANCHORS ARE TO BE HOT-DIP GALVANIZED.

THIS DESIGN, DRAWING AND SPECIFICATION IS THE EXCLUSIVE PROPERTY OF SOUND FIGHTER SYSTEMS, LLC. IT AND/OR THE DESIGN THEREIN ARE NOT TO BE COPIED, SOLD, TRANSFERRED OR REPRODUCED IN ANY WAY AND IS SUBJECT TO RETURN ON DEMAND. THE ITEMS DESCRIBED ARE NOT TO BE BUILT OR ASSEMBLED OR IT'S DESIGN CRITERIA DISCLOSED TO OTHER PARTIES WITHOUT THE EXPRESSED WRITTEN PERMISSION OF SOUND FIGHTER SYSTEMS, LLC.

SOUND FIGHTER SYSTEMS, LLC

P.O. Box 7216
Shreveport, Louisiana
71137-7216
TEL. 318-861-6640
FAX 318-865-7373
Website: www.soundfighter.com

DRAWN	KG	DATE	1/22/08
APPRV		DATE	

REV	DESCRIPTION	BY	DATE
	LSE NOISE BARRIER SYSTEM		
	12' HIGH WALL		
ELEVATION & PLAN VIEW			
SCALE	N.T.S.	DWG NO	U SHAPE WALL.dwg
PROJECT	B	REV	.
			SHEET 1