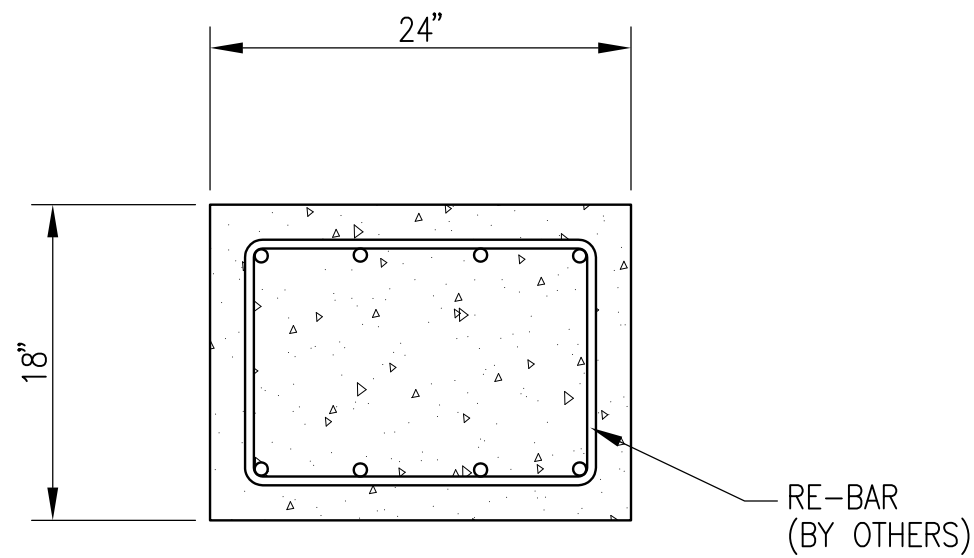


NOTE:
 A MINIMUM OF (1) DRILLED SHAFT IS REQUIRED UNDER EVERY OTHER POST WHEN GRADE BEAM IS USED.

GRADE BEAM ELEVATION



SECTION A-A

THIS DESIGN, DRAWING AND SPECIFICATION IS THE EXCLUSIVE PROPERTY OF SOUND FIGHTER SYSTEMS, LLC. IT AND/OR THE DESIGN THEREIN ARE NOT TO BE COPIED, SOLD, TRANSFERRED OR REPRODUCED IN ANY WAY AND IS SUBJECT TO RETURN ON DEMAND. THE ITEMS DESCRIBED ARE NOT TO BE BUILT OR ASSEMBLED OR IT'S DESIGN CRITERIA DISCLOSED TO OTHER PARTIES WITHOUT THE EXPRESSED WRITTEN PERMISSION OF SOUND FIGHTER SYSTEMS, LLC.

SOUND FIGHTER® SYSTEMS, LLC



P.O. Box 7216
 Shreveport, Louisiana
 71137-7216
 TEL. 318-861-6640
 FAX 318-865-7373
 Website: www.soundfighter.com

| | | | |
|-------|----|------|---------|
| DRAWN | KG | DATE | 1/28/07 |
| APPRV | | DATE | |

| REV | DESCRIPTION | BY | DATE |
|-------|--------------------------|----------------|---------|
| | LSE NOISE BARRIER SYSTEM | | |
| | STANDARD WALL | | |
| | GRADE BEAM | | |
| SIZE | PROJECT | DWG NO | REV |
| B | . | GRADE BEAM.dwg | . |
| SCALE | N.T.S. | | SHEET 1 |