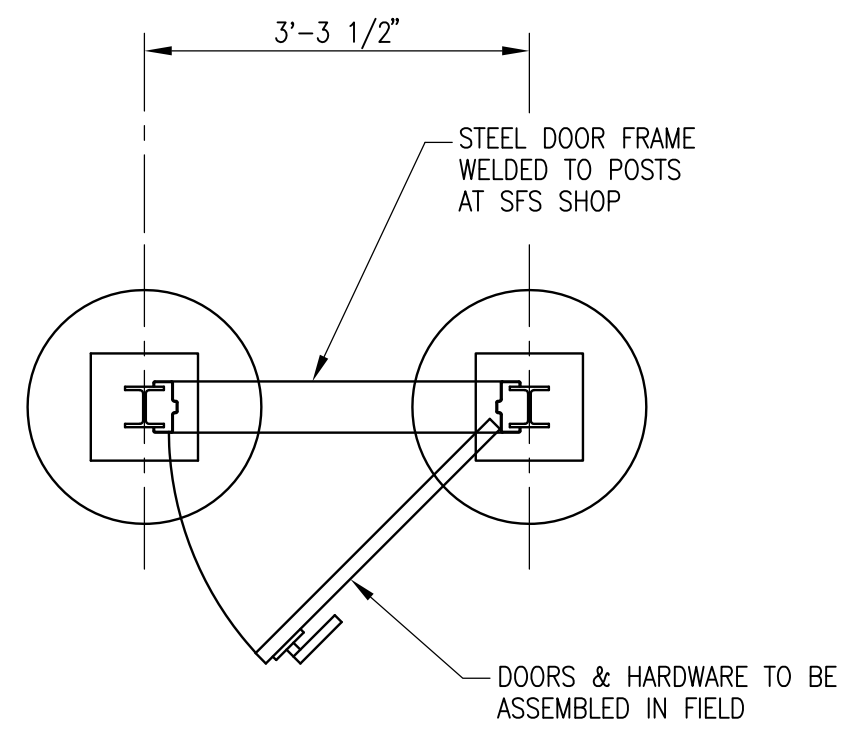


ELEVATION - SINGLE DOOR SECTION



PLAN VIEW - SINGLE DOOR SECTION

THIS DESIGN, DRAWING AND SPECIFICATION IS THE EXCLUSIVE PROPERTY OF SOUND FIGHTER SYSTEMS, LLC. IT AND/OR THE DESIGN THEREIN ARE NOT TO BE COPIED, SOLD, TRANSFERRED OR REPRODUCED IN ANY WAY AND IS SUBJECT TO RETURN ON DEMAND. THE ITEMS DESCRIBED ARE NOT TO BE BUILT OR ASSEMBLED OR IT'S DESIGN CRITERIA DISCLOSED TO OTHER PARTIES WITHOUT THE EXPRESSED WRITTEN PERMISSION OF SOUND FIGHTER SYSTEMS, LLC.

SOUND FIGHTER SYSTEMS, LLC

P.O. Box 7216
Shreveport, Louisiana
71137-7216
TEL. 318-861-6640
FAX 318-865-7373
Website: www.soundfighter.com

REV	DESCRIPTION	BY	DATE
	LSE NOISE BARRIER SYSTEM		
	STANDARD WALL		
	DOOR DETAILS		

DRAWN	KG	DATE	1/22/08	SIZE	PROJECT	DWG NO	REV
APPRV		DATE		B		DOOR DETAILS-2.dwg	
SCALE	N.T.S.						SHEET 2 OF 2