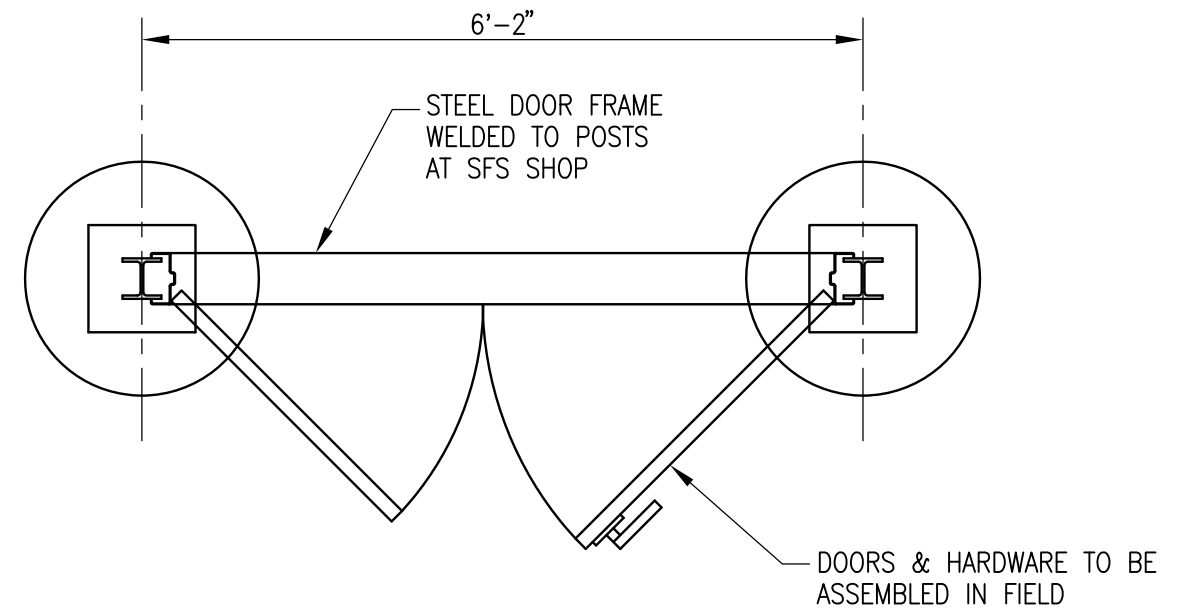



ELEVATION - DOUBLE DOOR SECTION



PLAN VIEW - DOUBLE DOOR SECTION

THIS DESIGN, DRAWING AND SPECIFICATION IS THE EXCLUSIVE PROPERTY OF SOUND FIGHTER SYSTEMS, LLC. IT AND/OR THE DESIGN THEREIN ARE NOT TO BE COPIED, SOLD, TRANSFERRED OR REPRODUCED IN ANY WAY AND IS SUBJECT TO RETURN ON DEMAND. THE ITEMS DESCRIBED ARE NOT TO BE BUILT OR ASSEMBLED OR IT'S DESIGN CRITERIA DISCLOSED TO OTHER PARTIES WITHOUT THE EXPRESSED WRITTEN PERMISSION OF SOUND FIGHTER SYSTEMS, LLC.

SOUND FIGHTER SYSTEMS, LLC  
  
 P.O. Box 7216  
 Shreveport, Louisiana  
 71137-7216  
 TEL. 318-861-6640  
 FAX 318-865-7373  
 Website: www.soundfighter.com

DRAWN	KG	DATE	1/22/08
APPRV		DATE	

REV	DESCRIPTION	BY	DATE
	LSE NOISE BARRIER SYSTEM		
	STANDARD WALL		
	DOOR DETAILS		
SIZE	PROJECT	DWG NO	REV
B	.	DOOR DETAILS-1.dwg	.
SCALE	N.T.S.	SHEET 1 OF 2	