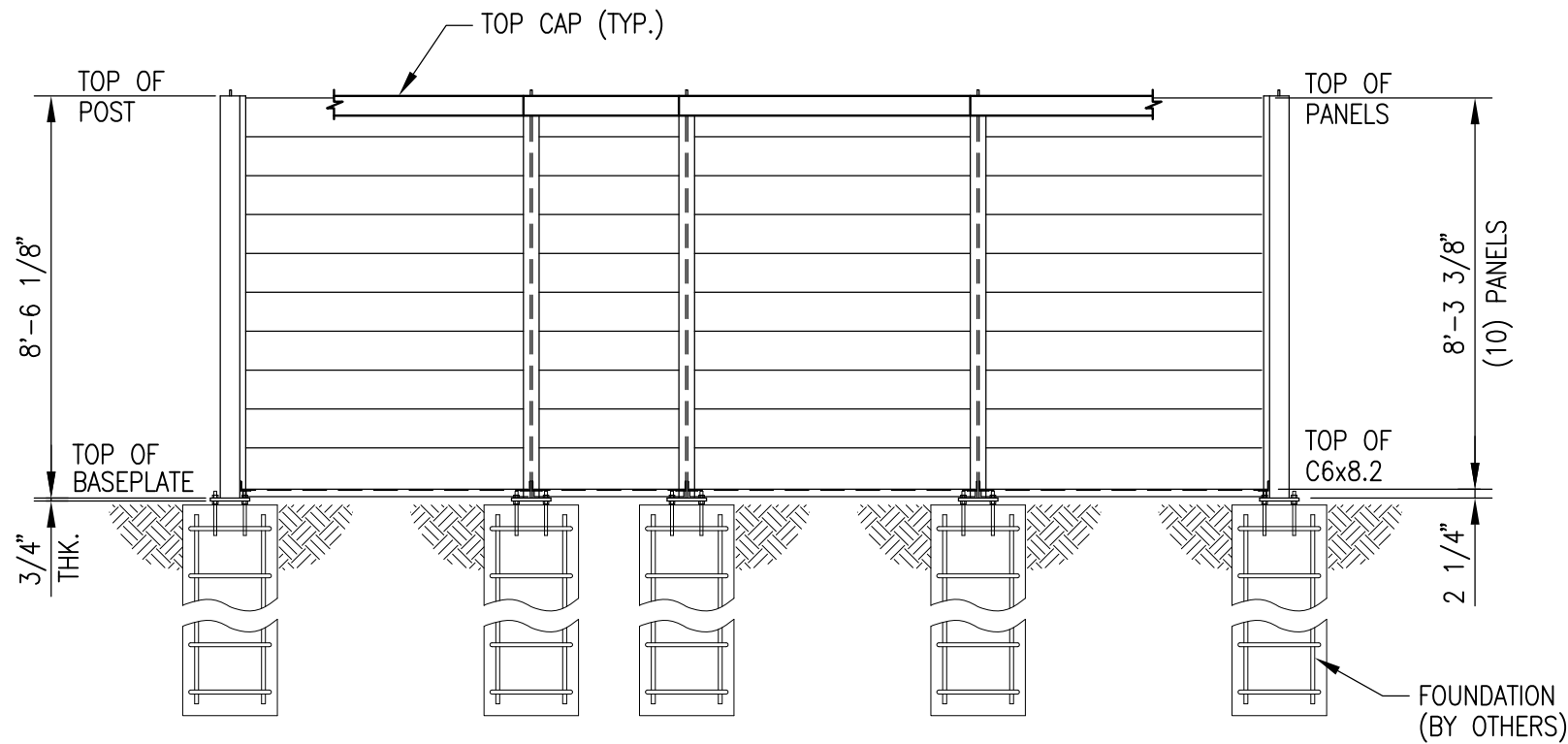



FRONT ELEVATION



REAR ELEVATION

THIS DESIGN, DRAWING AND SPECIFICATION IS THE EXCLUSIVE PROPERTY OF SOUND FIGHTER SYSTEMS, LLC. IT AND/OR THE DESIGN THEREIN ARE NOT TO BE COPIED, SOLD, TRANSFERRED OR REPRODUCED IN ANY WAY AND IS SUBJECT TO RETURN ON DEMAND. THE ITEMS DESCRIBED ARE NOT TO BE BUILT OR ASSEMBLED OR IT'S DESIGN CRITERIA DISCLOSED TO OTHER PARTIES WITHOUT THE EXPRESSED WRITTEN PERMISSION OF SOUND FIGHTER SYSTEMS, LLC.

SOUND FIGHTER® SYSTEMS, LLC



P.O. Box 7216  
Shreveport, Louisiana  
71137-7216  
TEL. 318-861-6640  
FAX 318-865-7373  
Website: www.soundfighter.com

DRAWN	KG	DATE	1/22/08
APPRV		DATE	

REV	DESCRIPTION	BY	DATE
	LSE NOISE BARRIER SYSTEM		
	8' HIGH WALL		
	ELEVATION		
SIZE	PROJECT	DWG NO	REV
B	.	4 SIDED WALL SHT-2.dwg	.
SCALE	N.T.S.	SHEET 2 OF 3	